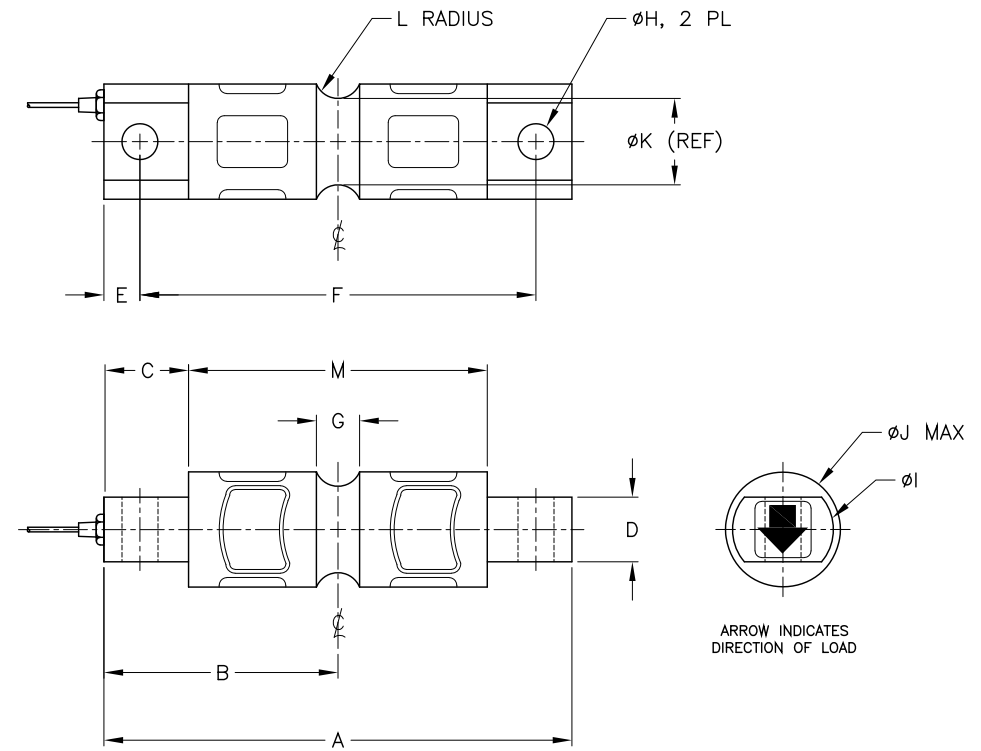


DIMENSIONS- INCHES & [mm]

CAPACITY LBS [KN]	MODEL NUMBER STAINLESS STEEL	MODEL NUMBER PLATED ALLOY STEEL	A	B	C	D	E	F	G	ØH	ØI	ØJ	ØK	L	M
5 KLB [2.2MT]	HIDSB01-5K	HIDSB02-5K	8.12 [206.2]	4.06 [103.1]	1.44 [36.6]	1.12 [28.4]	.62 [15.7]	6.87 [174.5]	.62 [15.7]	.65 [16.5]	1.75 [44.4]	2.25 [57.2]	1.48 [37.6]	.50 [12.7]	5.24 [133.1]
10 KLB [4.5MT]	HIDSB01-10K	HIDSB02-10K													
15 KLB [6.8MT]	HIDSB01-15K	HIDSB02-15K	8.12 [206.2]	4.06 [103.1]	1.44 [36.6]	1.12 [28.4]	.62 [15.7]	6.87 [174.5]	.73 [18.5]	.66 [16.7]	1.95 [49.5]	1.95 [49.5]	1.49 [37.8]	.50 [12.7]	5.24 [133.1]
20 KLB [9.1MT]	HIDSB01-20K	HIDSB02-20K	8.12 [206.2]	4.06 [103.1]	1.44 [36.6]	1.12 [28.4]	.62 [15.7]	6.87 [174.5]	.73 [18.5]	.66 [16.7]	1.95 [49.5]	1.95 [49.5]	1.49 [37.8]	.50 [12.7]	5.24 [133.1]
30 KLB [13.6MT]	HIDSB01-30K	HIDSB02-30K													
40 KLB [18.1MT]	HIDSB01-40K	HIDSB02-40K	10.25 [260.4]	5.12 [130.2]	1.87 [47.5]	2.36 [59.9]	.88 [22.4]	8.50 [215.9]	1.00 [25.4]	1.06 [26.9]	3.00 [76.2]	3.25 [82.6]	2.75 [69.8]	1.00 [25.4]	6.51 [165.4]
50 KLB [22.7MT]	HIDSB01-50K	HIDSB02-50K													
60 KLB [27.2MT]	HIDSB01-60K	HIDSB02-60K													
100 KLB [45.3MT]	HIDSB01-100K	HIDSB02-100K	11.25 [285.8]	5.62 [142.9]	1.87 [47.5]	2.50 [63.5]	.88 [22.4]	9.50 [241.3]	1.00 [25.4]	1.06 [26.9]	3.50 [88.9]	3.75 [95.2]	3.25 [82.6]	1.00 [25.4]	7.51 [190.8]
150 KLB [68MT]	HIDSB01-150K	HIDSB02-150K	11.25 [285.8]	5.62 [142.9]	1.87 [47.5]	2.80 [71.1]	.88 [22.4]	9.50 [241.3]	.93 [23.6]	1.06 [26.9]	3.90 [99.1]	3.90 [99.1]	3.64 [92.5]	1.50 [38.1]	7.51 [190.8]
200 KLB [90.7MT]	HIDSB01-200K	HIDSB02-200K	16.10 [408.9]	8.05 [204.5]	3.05 [77.5]	4.60 [116.8]	1.55 [39.4]	13.00 [330.3]	1.25 [31.7]	1.56 [39.6]	5.38 [136.6]	5.50 [139.7]	5.50 [139.7]	2.00 [50.8]	10.00 [254.0]

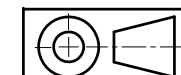
REV.	ECO/DDC	DESCRIPTION	DATE	DRAFT	CHECK	APV'D
B	----	REDRAWN ON HPS FORMAT.	02-23-21	V.J.C.	J.M.	V.J.C.
B2	----	DDC; DELETED 250K CAPACITY LOAD SENSOR.	04-13-21	V.J.C.	J.I.	V.J.C.



6. LOAD SENSOR IS CONSTRUCTED WITH NICKEL/CHROME PLATED ALLOY STEEL OR STAINLESS STEEL.
5. CABLE IS SHIELDED, 6 CONDUCTOR. CABLE SHIELD IS FLOATING. CABLE LENGTH IS 30 FEET [9.1 METERS].
4. C2 WIRE COLOR CODE FLAG LABEL IS LOCATED APPROXIMATELY 10 INCHES [254MM] FROM END OF CABLE.
 - EXCITATION + RED
 - EXCITATION - BLACK
 - SIGNAL + GREEN
 - SIGNAL - WHITE
 - C2 + GRAY
 - C2 - VIOLET
 - SHIELD YELLOW
3. CABLE WIRE ENDS ARE STRIPPED BACK APPROXIMATELY 0.5 INCHES [12.7MM] AND TINNED. CABLE JACKET IS STRIPPED BACK 5 INCHES [127MM] MAXIMUM.
2. THIS DRAWING IS SUBJECT TO CHANGE WITHOUT NOTICE.
1. RATED OUTPUT: 3mV/V ±0.003.

NOTES: UNLESS OTHERWISE SPECIFIED

PROPRIETARY NOTICE
 ALL DATA AND INFORMATION CONTAINED IN OR DISCLOSED BY THIS DOCUMENT IS CONFIDENTIAL AND PROPRIETARY INFORMATION OF HARDY PROCESS SOLUTIONS INC. AND ALL RIGHTS THEREIN ARE EXPRESSLY RESERVED. BY ACCEPTING THIS MATERIAL THE RECIPIENT AGREES THAT THIS MATERIAL AND THE INFORMATION CONTAINED THEREIN IS HELD IN CONFIDENCE AND IN TRUST AND SHALL NOT BE USED, COPIED, REPRODUCED IN WHOLE OR IN PART, NOR ITS CONTENTS REVEALED IN ANY MANNER TO OTHERS, EXCEPT TO MEET THE SPECIFIC PURPOSE FOR WHICH IT WAS DELIVERED.



		0588-0076	OUTLINE DRAWING, LOAD SENSOR, HI DSB01/02 SERIES		
ITEM	QTY	PART NUMBER	DESCRIPTION	COMMENTS	
PARTS LIST					
UNLESS OTHERWISE SPECIFIED DIMENSIONS ARE IN INCH [MM]		CONTRACT NO.		<p>OUTLINE DRAWING, LOAD SENSOR, HI DSB01/02 SERIES</p>	
TOLERANCES ARE:		APPROVALS			
FRACTIONS: N/A		DRAWN	DATE		
DECIMALS: .XX = ±.03 [.8]		V. CHULA	02-18-21		
.XXX = ±.010 [.25]		CHECKED	DATE		
ANGLES: ±0°, 30'		J. MOEN	02-23-21		
MATERIAL		APPROVED	DATE		
		V. CHULA	02-23-21		
FINISH		ISSUED	DATE	SIZE	FSCM
		V. CHULA	02-23-21	D	21316
		PRODUCTION	DATE	DRAWING NO.	
				0588-0076	
				REV.	B
DO NOT SCALE DRAWING		FILE NAME: 588076B2.DWG		SCALE: NONE	SHEET 1 OF 1